
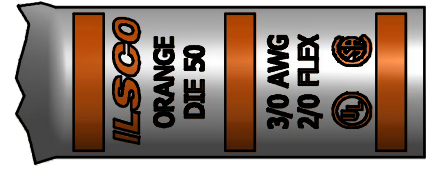
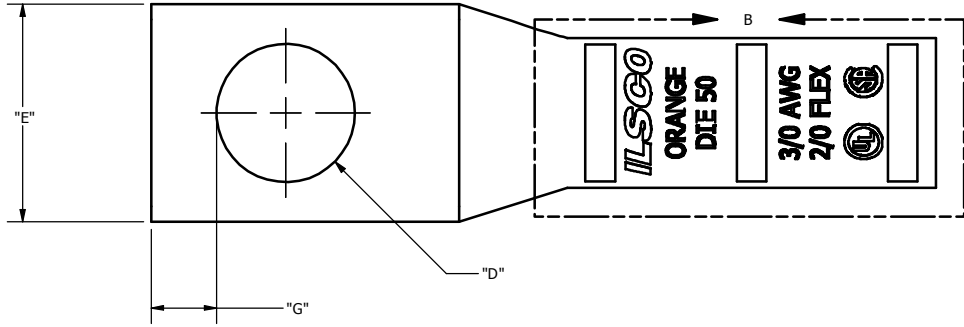
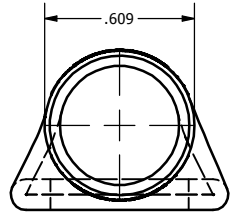
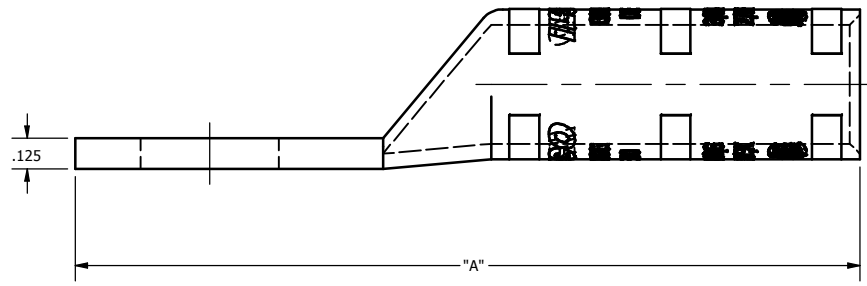


SCREW: NONE	MATERIAL: COPPER	REV: J	
CAT. NO.: SEE CHART	PLATING: EL-TIN	DRAWN BY:DW SCALE: NTS	
INFORMATION SHEET:FORUM 157	MARKING: SEE BELOW	DATE:8/6/2007 SIZE: B	
			DWG NO: Y0903-S
			SHEET: 1 OF 1



DETAIL B
TOP AND BOTTOM INK MARKINGS ARE IDENTICAL
INK COLOR: ORANGE
PER SPEC #: F921



Catalog Number	"A"	"D"	"E"	"G"	TANG MARKING
CLNS-3/0-10	2.501	0.219	.885	0.148	ILSCO, CLNS-3/0-10, 3/0 AWG, 2/0 FLEX, DIE 50, UL, CSA
CLNS-3/0-14	2.814	0.281	.885	0.180	ILSCO, CLNS-3/0-14, 3/0 AWG, 2/0 FLEX, DIE 50, UL, CSA
CLNS-3/0-516	2.814	0.343	.885	0.180	ILSCO, CLNS-3/0-516, 3/0, AWG, 2/0 FLEX, DIE 50, UL, CSA
CLNS-3/0-38	2.814	0.406	.885	0.220	ILSCO, C-3/0-38, 3/0 AWG, 2/0 FLEX, DIE 50, UL, CSA
CLNS-3/0-12	3.189	0.562	.885	0.265	ILSCO, CLNS-3/0-12, 3/0 AWG, 2/0 FLEX, DIE 50, UL, CSA
CLNS-3/0-58	3.376	0.656	.885	0.343	ILSCO, CLNS-3/0-58, 3/0 AWG, 2/0 FLEX, DIE 50, UL, CSA
CLNS-3/0-34	3.626	0.781	.969	0.359	

THE INFORMATION CONTAINED WITHIN THIS DOCUMENT IS PROPRIETARY TO ILSCO AND MAY NOT BE DISCLOSED WITHOUT PRIOR WRITTEN CONSENT